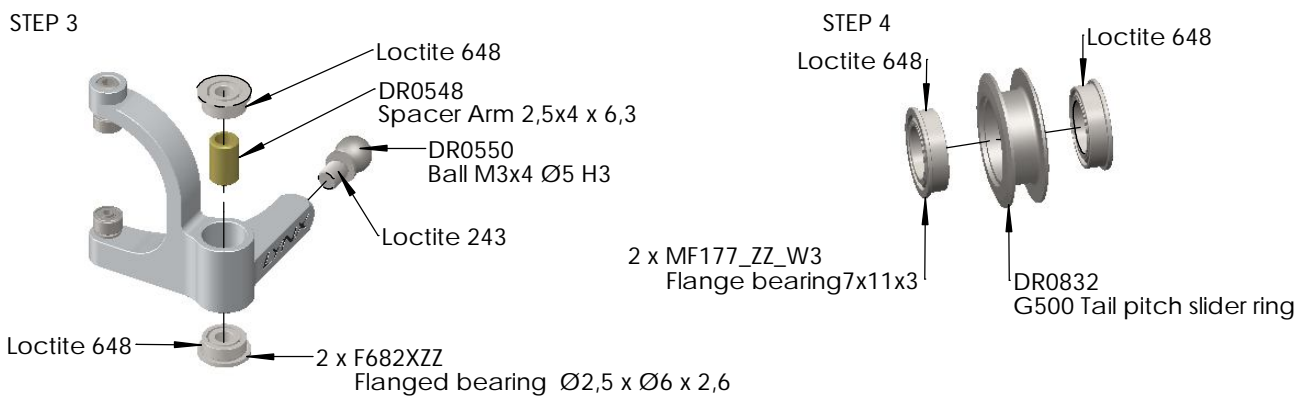
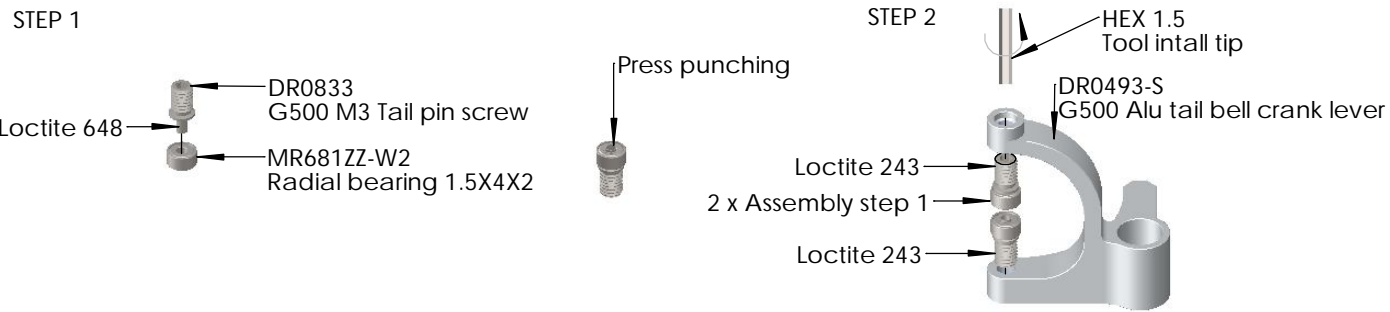
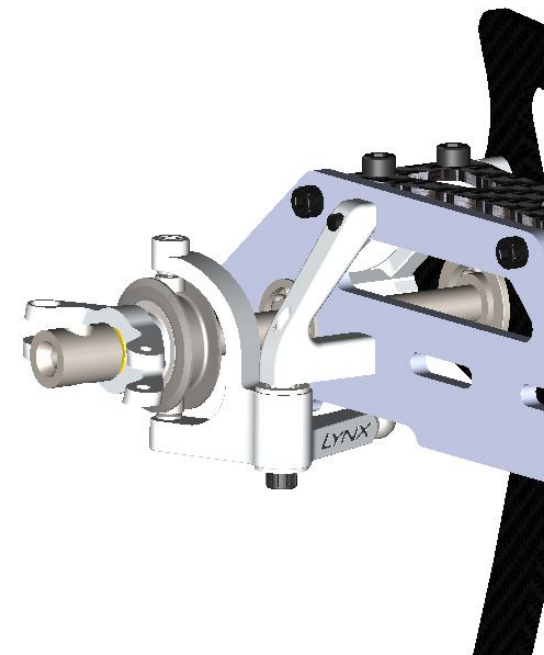


**LX0647 GOBLIN 500 - PRECISION TAIL BELL CRANK LEVER - REPLICIA - SILVER**

**LX0648 GOBLIN 500 - PRECISION TAIL BELL CRANK LEVER - REPLICIA - RED**



Assembly finish



Assembly note

Finish tail rotor hub assembly using standard Goblin 500 parts